

Sustainable Digital ICs 1



Jim Honeyman

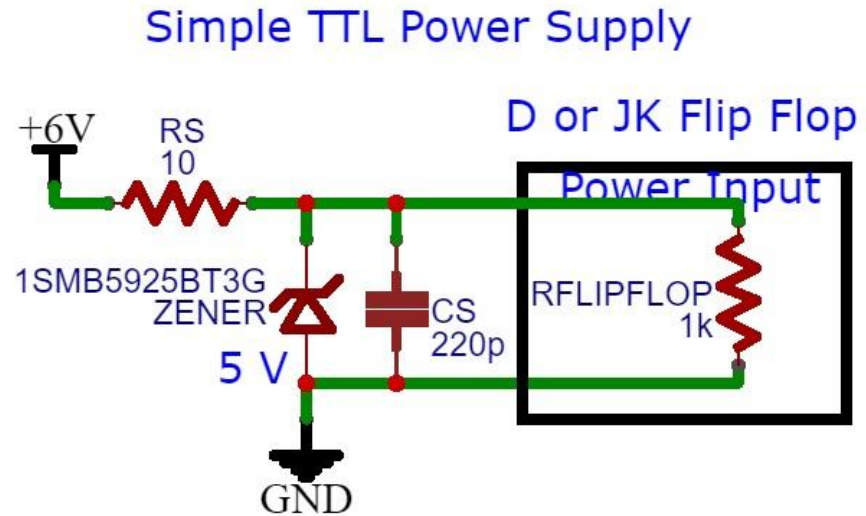
jim@4volts.com

Dr Mark Glickman

drmarkglickman@yahoo.com

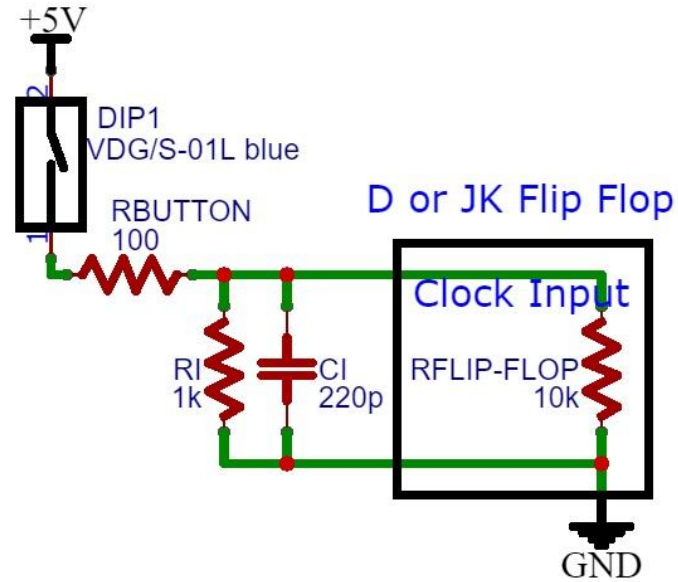
TTL IC Power Supply

- Transistor Transistor
Logic power supply:



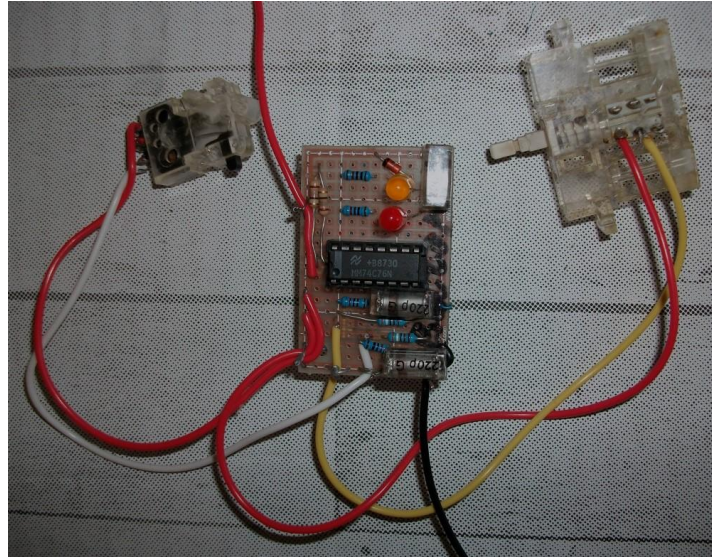
TTL IC Connecting Input

- Transistor Transistor
Logic input:



Button ON/OFF Switch Photo

- You can use D Flip-Flop and JK Flip-Flop:

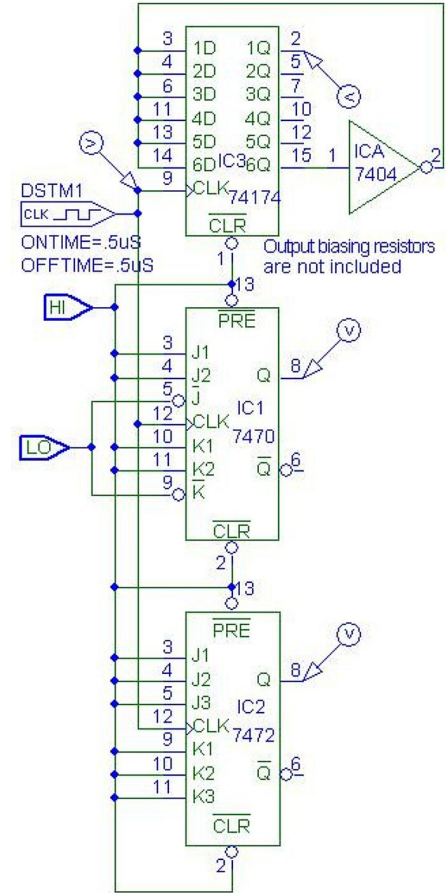


Button ON/OFF Switch Video



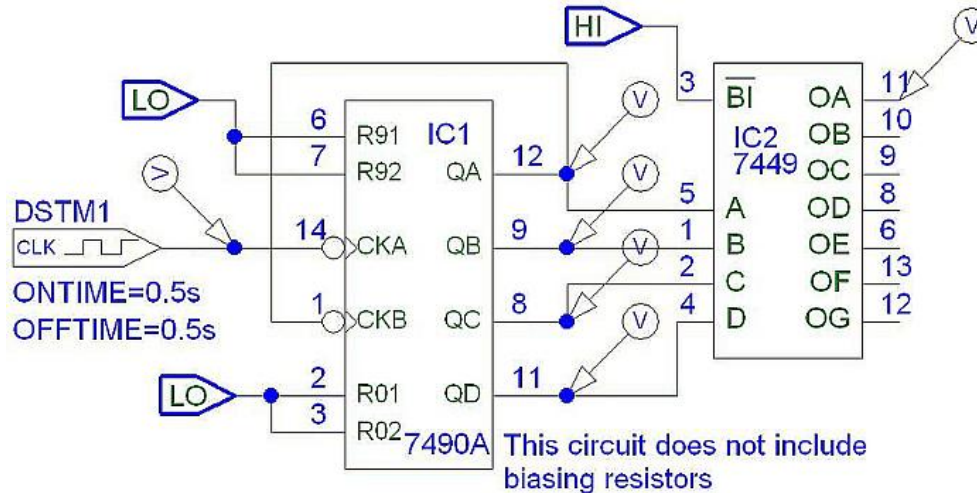
Button ON-OFF Switch

- You can connect used TTL Flip-Flop ICs with wire wrap:



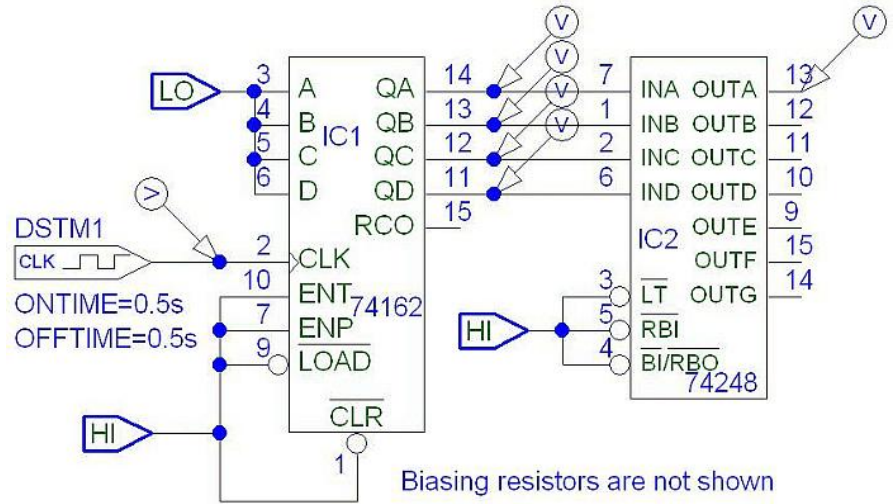
TTL Counters

- TTL 7490A Decade Counter:



TTL Counters

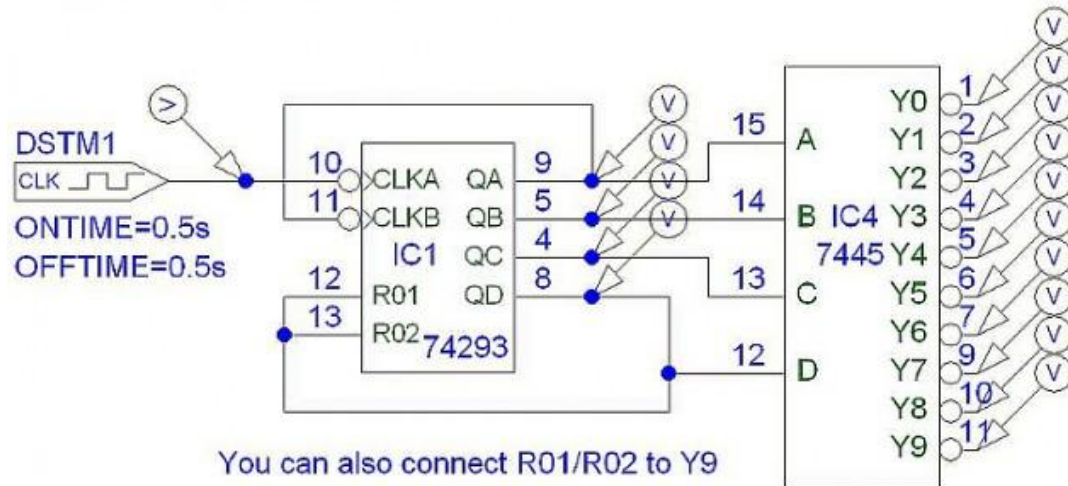
- TTL 74162 Decade Counter:



This counter resets to 0000 after exceeding 1001

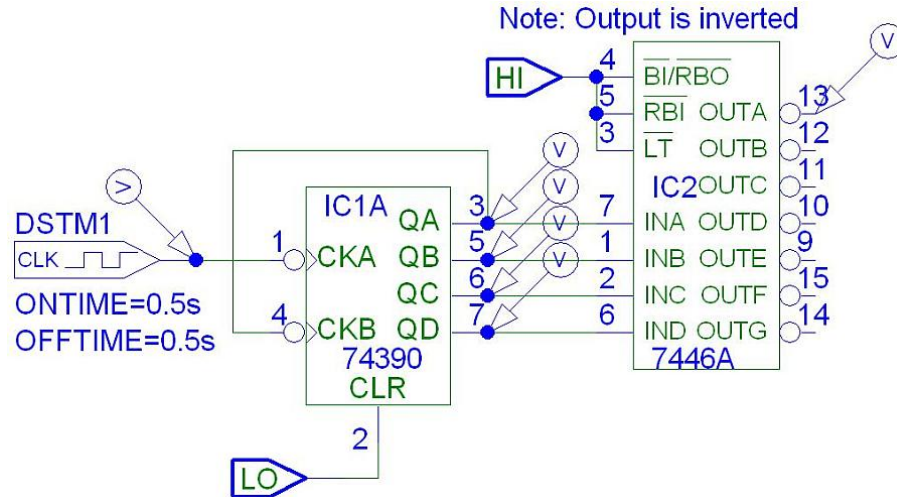
TTL Counters

- TTL 74293 Decade Counter:



TTL Counters

- TTL 74390 Decade Counter:



References

1. <https://instructables.com/member/recycledcircuits>
2. <https://hackaday.io/recycledcircuits>
3. <https://instructables.com/member/recycledcomponents>
4. <https://hackaday.io/recycledcomponents>
5. <https://instructables.com/member/usedcomponents>
6. <https://hackaday.io/usedcomponents>
7. <https://instructables.com/member/recycledplanets>
8. <https://hackaday.io/recycledplanets>
9. <https://instructables.com/member/recycledsculptures>
10. <https://hackaday.io/recycledsculptures>

References

1. <https://instructables.com/member/diyelectronics>
2. <https://hackaday.io/diyelectronics>
3. <https://instructables.com/member/simplecircuits>
4. <https://hackaday.io/simplecircuits>
5. <https://instructables.com/member/cheapcircuits>
6. <https://hackaday.io/cheapcircuits>
7. <https://instructables.com/member/supercircuits>
8. <https://hackaday.io/supercircuits>
9. <https://instructables.com/member/basicmechanics>
10. <https://hackaday.io/basicmechanics>

References

1. <https://instructables.com/member/webaerospace>
2. <https://hackaday.io/webaerospace>
3. <https://instructables.com/member/webphotos>
4. <https://hackaday.io/webphotos>
5. <https://instructables.com/member/simplecomponents>
6. <https://hackaday.io/simplecomponents>
7. <https://instructables.com/member/cheapcomponents>
8. <https://hackaday.io/cheapcomponents>
9. <https://instructables.com/member/lowcostcircuits>
10. <https://hackaday.io/lowcostcircuits>