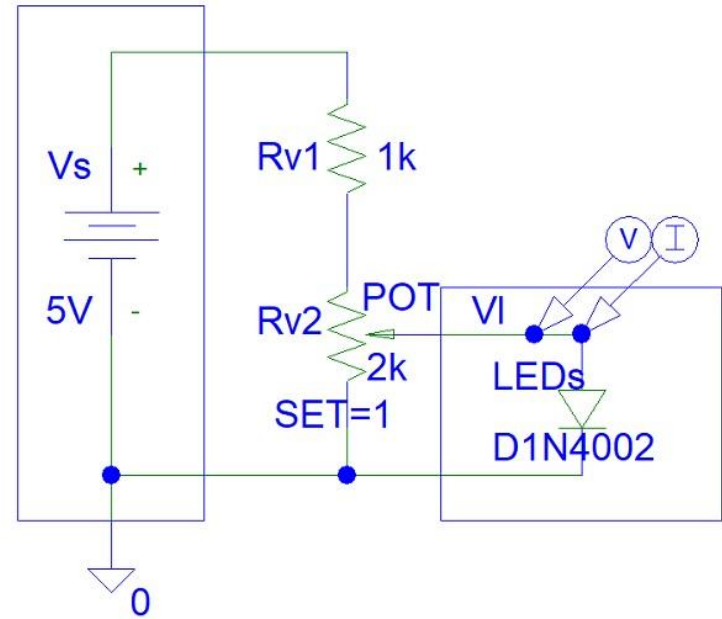

High School Sustainable Lights 1

Jim Honeyman
jim@4volts.com

Dr Mark Glickman
drmarkglickman@yahoo.com

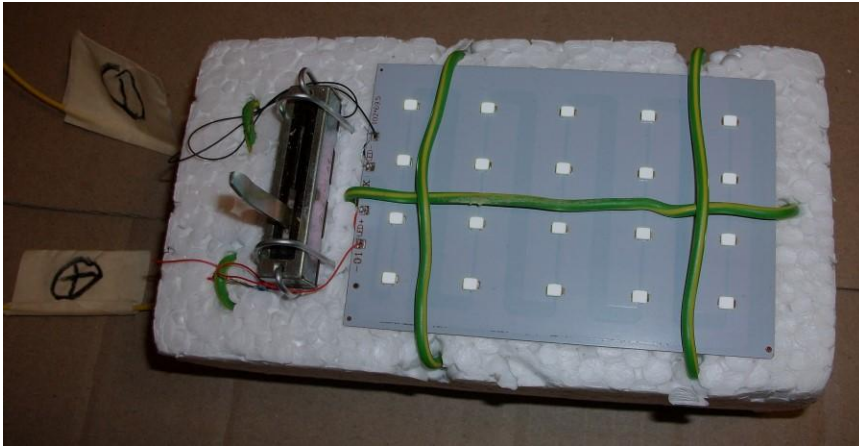
Recycled Light Dimmer

- The 1 kohm resistor could be a bit too high for a voltage of only 5 V.



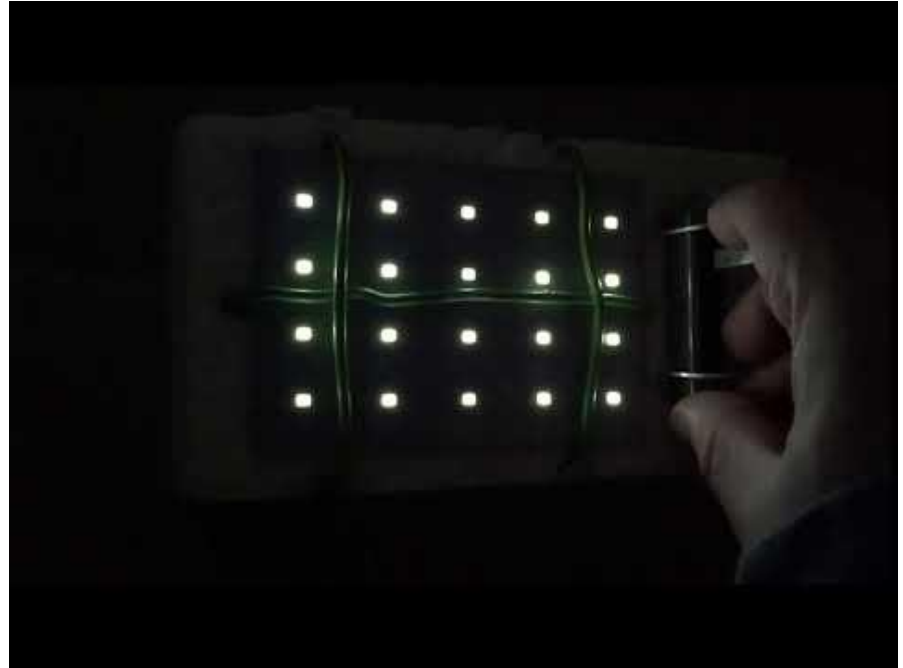
Recycled Light Dimmer

- Photos:



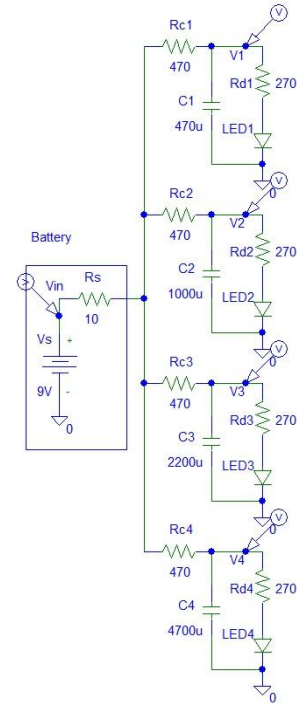
Recycled Light Dimmer

- Video:



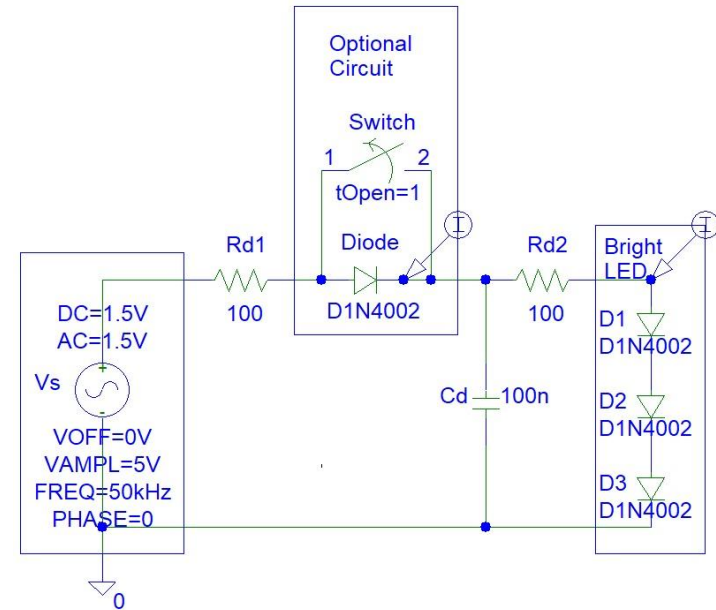
Christmas Lights

- Circuit:



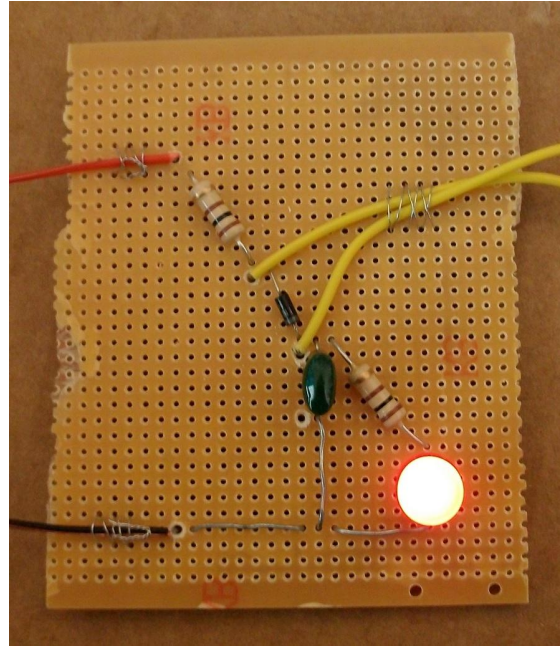
Frequency Light Dimmer

- LED circuit:



Frequency Light Dimmer Photo

- Photo:



References

1. <https://instructables.com/member/recycledcircuits>
2. <https://hackaday.io/recycledcircuits>
3. <https://instructables.com/member/recycledcomponents>
4. <https://hackaday.io/recycledcomponents>
5. <https://instructables.com/member/usedcomponents>
6. <https://hackaday.io/usedcomponents>
7. <https://instructables.com/member/recycledplanets>
8. <https://hackaday.io/recycledplanets>
9. <https://instructables.com/member/recycledsculptures>
10. <https://hackaday.io/recycledsculptures>

References

1. <https://instructables.com/member/diyelectronics>
2. <https://hackaday.io/diyelectronics>
3. <https://instructables.com/member/simplecircuits>
4. <https://hackaday.io/simplecircuits>
5. <https://instructables.com/member/cheapcircuits>
6. <https://hackaday.io/cheapcircuits>
7. <https://instructables.com/member/supercircuits>
8. <https://hackaday.io/supercircuits>
9. <https://instructables.com/member/basicmechanics>
10. <https://hackaday.io/basicmechanics>

References

1. <https://instructables.com/member/webaerospace>
2. <https://hackaday.io/webaerospace>
3. <https://instructables.com/member/webphotos>
4. <https://hackaday.io/webphotos>
5. <https://instructables.com/member/simplecomponents>
6. <https://hackaday.io/simplecomponents>
7. <https://instructables.com/member/cheapcomponents>
8. <https://hackaday.io/cheapcomponents>
9. <https://instructables.com/member/lowcostcircuits>
10. <https://hackaday.io/lowcostcircuits>