

# Sustainable Other Circuits

**Jim Honeyman**

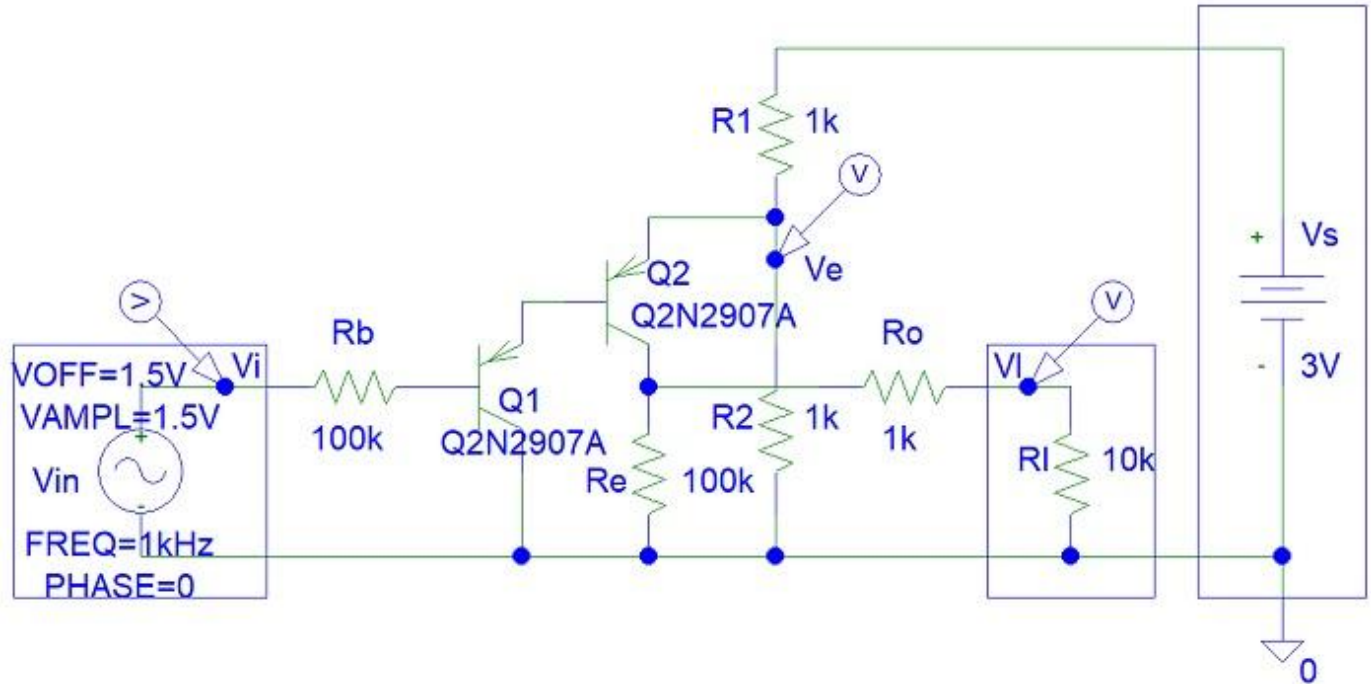
**[jim@4volts.com](mailto:jim@4volts.com)**

**Dr Mark Glickman**

**[drmarkglickman@yahoo.com](mailto:drmarkglickman@yahoo.com)**

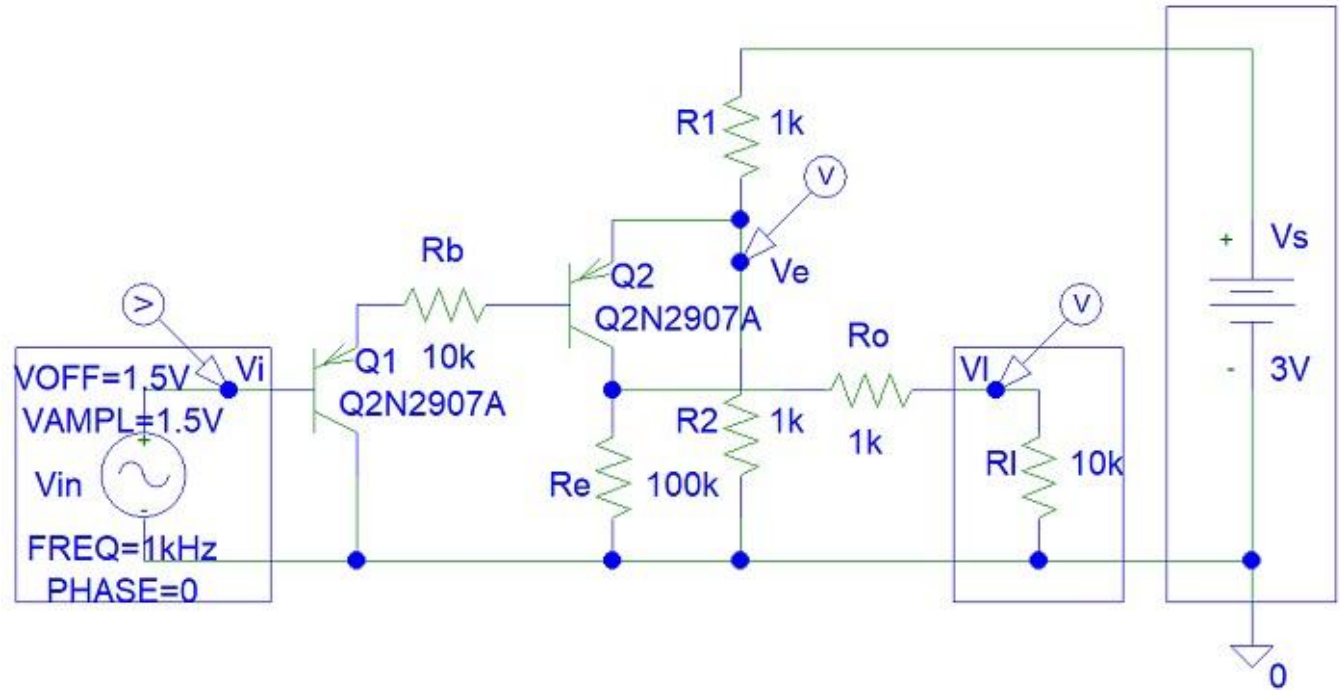
# Transistor Comparator

- Circuit 1:



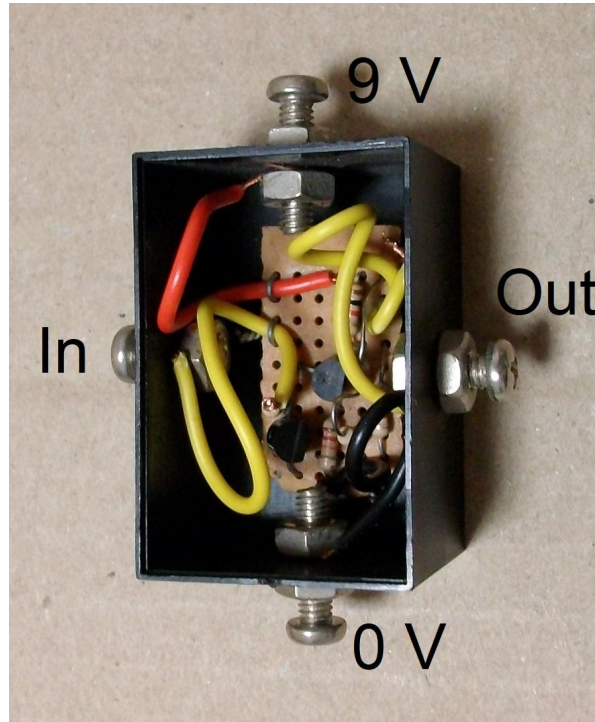
# Transistor Comparator

- Circuit 2:



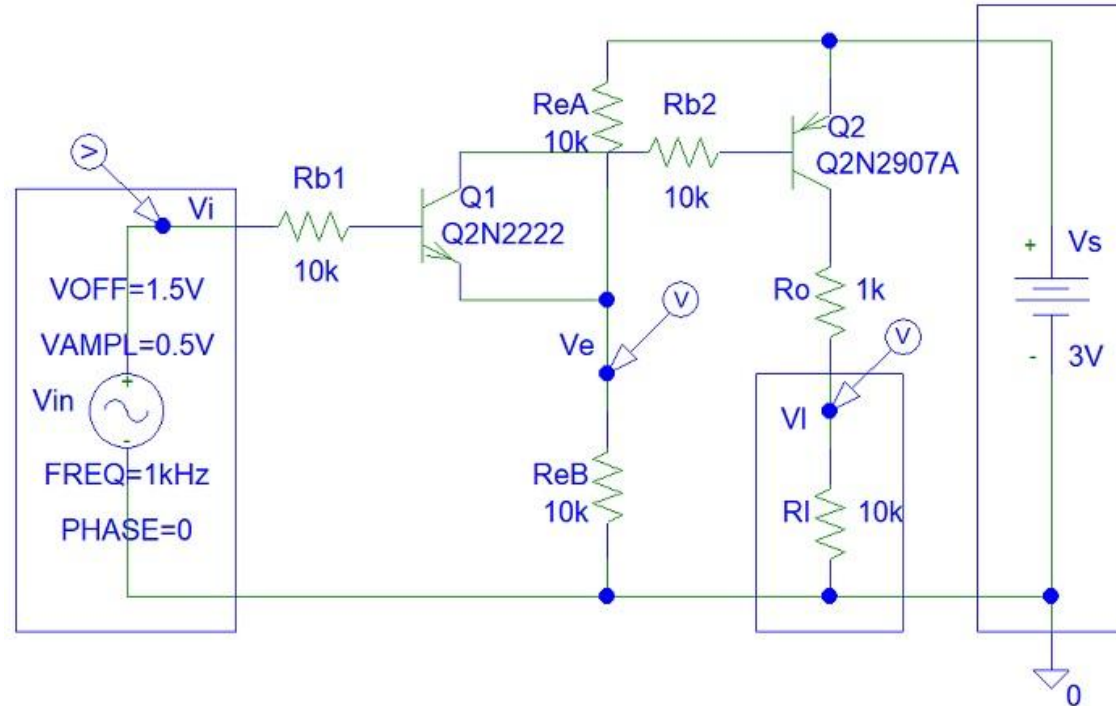
# Transistor Comparator

- Photo:



# Transistor Comparator

- Circuit 3:



# References

1. <https://instructables.com/member/recycledcircuits>
2. <https://hackaday.io/recycledcircuits>
3. <https://instructables.com/member/recycledcomponents>
4. <https://hackaday.io/recycledcomponents>
5. <https://instructables.com/member/usedcomponents>
6. <https://hackaday.io/usedcomponents>
7. <https://instructables.com/member/recycledplanets>
8. <https://hackaday.io/recycledplanets>
9. <https://instructables.com/member/recycledsculptures>
10. <https://hackaday.io/recycledsculptures>

# References

1. <https://instructables.com/member/diyelectronics>
2. <https://hackaday.io/diyelectronics>
3. <https://instructables.com/member/simplecircuits>
4. <https://hackaday.io/simplecircuits>
5. <https://instructables.com/member/cheapcircuits>
6. <https://hackaday.io/cheapcircuits>
7. <https://instructables.com/member/supercircuits>
8. <https://hackaday.io/supercircuits>
9. <https://instructables.com/member/basicmechanics>
10. <https://hackaday.io/basicmechanics>

# References

1. <https://instructables.com/member/webaerospace>
2. <https://hackaday.io/webaerospace>
3. <https://instructables.com/member/webphotos>
4. <https://hackaday.io/webphotos>
5. <https://instructables.com/member/simplecomponents>
6. <https://hackaday.io/simplecomponents>
7. <https://instructables.com/member/cheapcomponents>
8. <https://hackaday.io/cheapcomponents>
9. <https://instructables.com/member/lowcostcircuits>
10. <https://hackaday.io/lowcostcircuits>